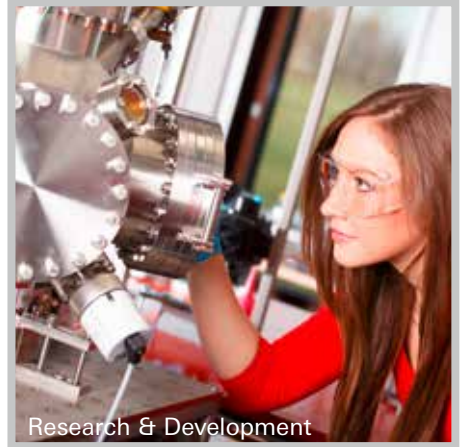




UHV Experiments



Research & Development



Ion Beam Technology



# OmniControl®

The universal control unit for pumps and gauges from Pfeiffer Vacuum

# OmniControl®

The universal control unit for  
pumps and gauges  
from Pfeiffer Vacuum



A single control unit for your  
complete vacuum system



Your added value

### Control your vacuum system with only one device

With the OmniControl, you only need one control device for your complete vacuum system. The device combines control of the total pressure with control of the pumps. Data exchange and processing between Pfeiffer Vacuum products is thus very uncomplicated and without the need to purchase additional devices. The OmniControl controls products that support a Pfeiffer Vacuum RS-485 protocol (e.g. HiPace, HiScroll, HiLobe, MVP und DigiLine). In addition, ActiveLine gauges (with analog output) can be connected as an option.

### Large touch display for convenient operation

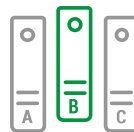
Thanks to the 3.5" touch display, you can control your vacuum system conveniently and easily. For example, total pressure and the pump parameters (speed, power consumption, etc.) are available at a glance. A button for switching the devices on and off can also be added.

### Available as rack or mobile device for manual operation

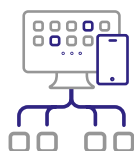
The OmniControl basic unit is available with or without internal power supply. Units without a power supply are available as a rack or mobile unit for manual operation. This allows the OmniControl to be used either locally or at constantly changing locations. The rack units are also available with an optional table mount.



**Intuitive operation**



**Individually configurable**



**Easy data exchange**



**Extensive control functions**

### **Advanced features with Gauge/IO and Data option**

With the Gauge/IO or the Data option you can extend the OmniControl according to your needs:

#### **Option Gauge/IO**

The Gauge/IO option provides two connections:  
An ActiveLine transmitter can be connected to the Gauge socket. This makes a separate gauge controller obsolete. The IO connector (2xrelay, 2xDI, 2xDO, 1xAI, 1xAO) offers the possibility to integrate external components. For example, you can switch a valve depending on the pressure.

#### **Option Data**

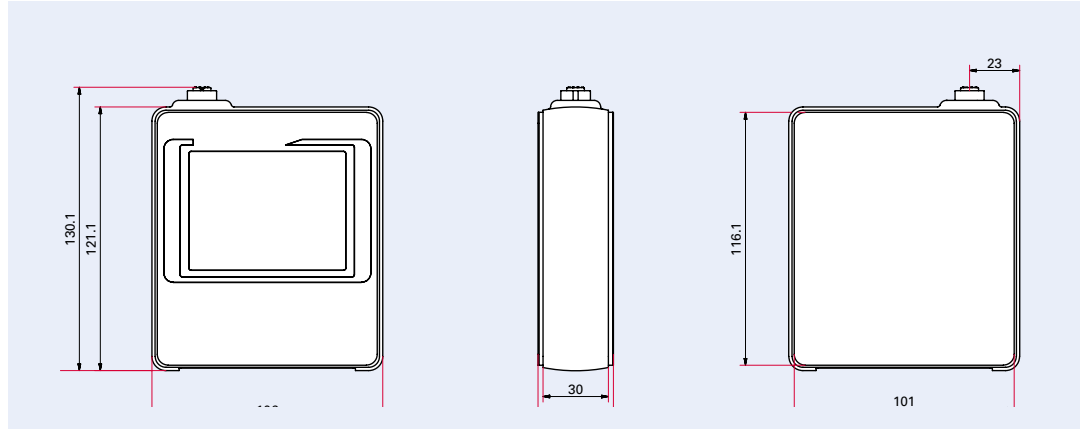
With the data option, you can conveniently save measured values as a CSV file on a USB stick or a MicroSD card. This allows the data to be analyzed or archived later. The data objects to be saved can be freely defined (e.g. total pressures, speed, error codes).

# OmniControl®

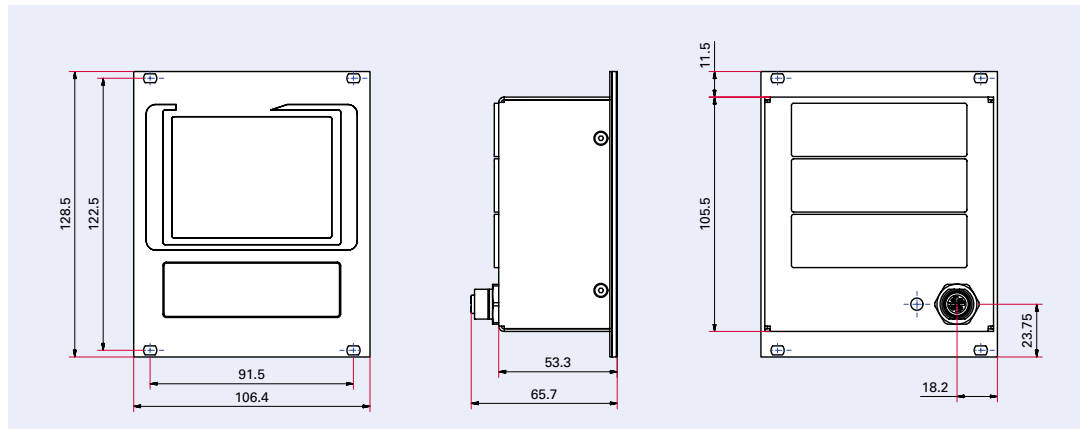
## Dimension drawings

### Dimension drawings

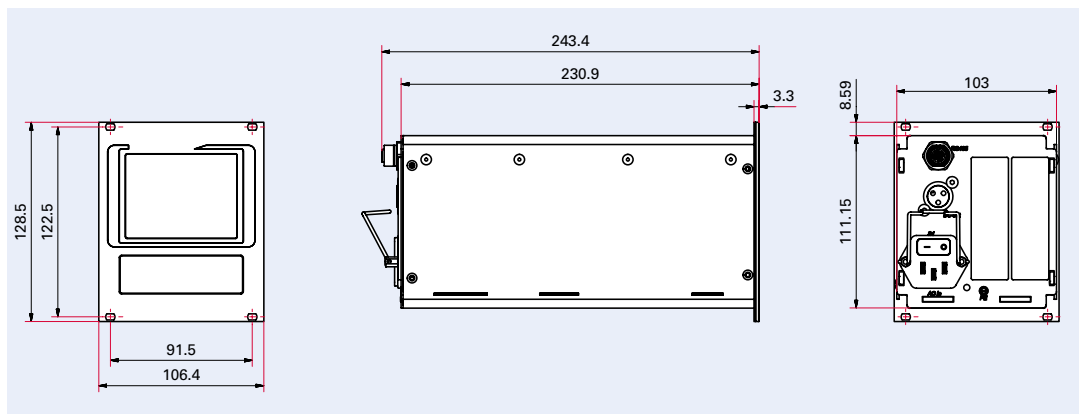
#### OmniControl 001 Mobile



#### OmniControl 001



#### OmniControl 200, 300, 400



Dimensions in mm



OmniControl 001 Mobile



OmniControl 001



OmniControl 200, 300, 400



OmniControl 200, 300, 400 with table mount

# OmniControl®

Technical data,  
order number matrix, accessories

## Technical data

	OmniControl 001 Mobile without power supply		
Protection class	IP 20		
Ambient temperature	0 °C to +50 °C		
Weight	approx. 300 g	approx. 200 g	

	OmniControl 200	OmniControl 300	OmniControl 400
<b>with integrated power supply unit</b>			
Mains connection: Voltage (range)	100–240 V AC ± 10 %		
Mains connection: Frequency (range)	47–63 Hz		
Mains connection: Power consumption	300 W	411 W	522 W
Output current	11.4 A	15 A	8,33 A
Output voltage	24 V DC	24 V DC	48 V DC
Protection class	IP 20		
Ambient temperature	0 °C to +50 °C		
Weight	approx. 2.1 kg	approx. 2.5 kg	approx. 2.25 kg

## Controllable products

■ = recommended  
□ = possible

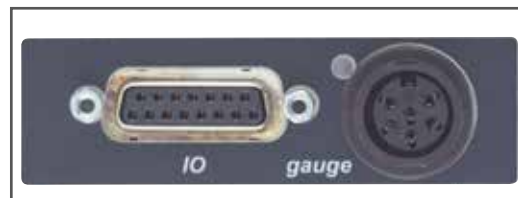
	OmniControl 001 Mobile without power supply	OmniControl 001	OmniControl 200	OmniControl 300	OmniControl 400
HiPace with TC 80/110	□	□	■	□	
HiPace with TC 400 (24 V DC)	□	□		■	
HiPace with TC 400 (48 V DC)	□	□			■
HiPace with TC 1200	■	■			
HiScroll	■	■			
HiLobe	■	■			
MVP (with RS-485)	□	□	■	■	
DigiLine Transmitter	max. 1 <sup>1)</sup>	max. 1 <sup>1)</sup>	max. 2	max. 2	max 2
ActiveLine Transmitter or DigiLine AR <sup>3)</sup>	opt. max. 1 <sup>2)</sup>	opt. max. 1 <sup>2)</sup>	opt. max. 2	opt. max. 2	opt. max. 2

<sup>1)</sup> all DigiLine transmitters except CCT 37x and HPT 200

<sup>2)</sup> all ActiveLine transmitters except CMR 37x, PBR 260 and IMR 265; all DigiLine transmitters except CCT 37x AR and HPT 200 AR

<sup>3)</sup> AR = Analog Relay

## Extension options



Gauge/IO option



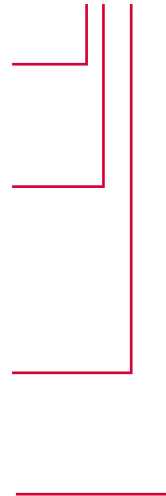
Data option

**Order number matrix OmniControl**

<b>Version</b>	<b>X</b>
Standard	D
With table mount	E
<b>Size</b>	<b>a</b>
OmniControl 001 without power supply	4
OmniControl 200 with power supply 24 V DC	5
OmniControl 300 with power supply 24 V DC	6
OmniControl 400 with power supply 48 V DC	7
<b>Option Data</b>	<b>b</b>
No option	0
1 x Data	2
<b>Option Gauge/IO</b>	<b>cd</b>
No option	00
1 x Gauge/IO	10
2 x Gauge/IO <sup>1)</sup>	11

<sup>1)</sup>With OmniControl 001 only 1x Gauge/IO

**PE Xab cd0 0**



**Order number matrix OmniControl Mobile**

<b>Options</b>	<b>b</b>
No option	0
1 x Gauge/IO	1
1 x Data	2

**PE D2b 000 0**



**Accessories**

	Order number
<b>Mains cable</b>	
Mains cable 230 V AC, schuko plug CEE 7/7 to C13, 3 m	P 4564 309 ZA
Mains cable 115 V AC, NEMA 5-15 to C13, 3 m	P 4564 309 ZE
Mains cable 208 V AC, NEMA 6-15 to C13, 3 m	P 4564 309 ZF
<b>Cable RS-485 (Communication)</b>	
Interface cable, M12m for RS-485	PM 061 283 -T
Y-distributor M12 for RS-485	P 4723 010
<b>Connection cable (power supply)</b>	
Connecting cable TC 80/110-OmniControl, 3 m	PM 071 656 -T
Connecting cable TC 400-OmniControl, 3 m	PM 061 352 -T
Connecting cable MVP-TC-OmniControl, 3 m	PE 100 013 -T
<b>Measurement cable</b>	
Measurement cable ActiveLine, 3 m	PT 448 250 -T
Measurement cable DigiLine AR, 3 m	PT 348 250 -T

Further accessories can be found on our website at [www.pfeiffer-vacuum.com](http://www.pfeiffer-vacuum.com)



Errors excepted. All data subject to change without prior notice. PT 0207 PEN (September 2021/PoD)

Are you looking for an optimal vacuum solution?  
Please contact us:

**Pfeiffer Vacuum GmbH**  
Germany  
Phone +49 6441 802-0

Folgen Sie uns auf Social Media  
#pfeiffervacuum



[www.pfeiffer-vacuum.com](http://www.pfeiffer-vacuum.com)

